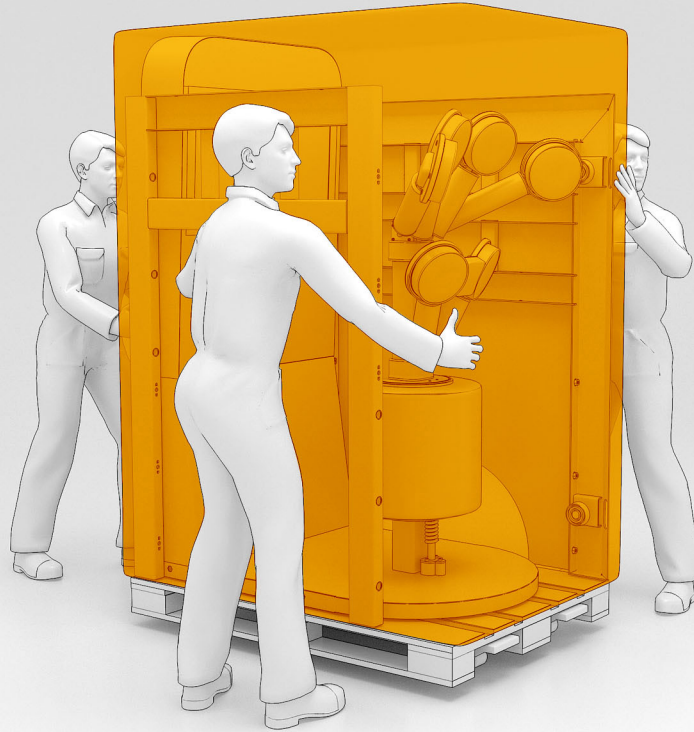


Boxing Coach

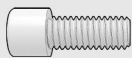
Assembly instruction.



01 The necessary parts needed for assembly.

Boxing Coach - Assembly instruction

Screws with washers are screwed into the construction, they must be unscrewed before proceeding with assembly.



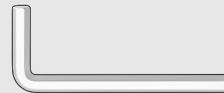
x14



x14



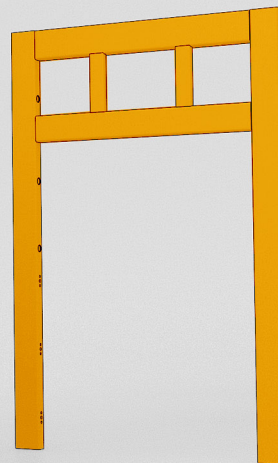
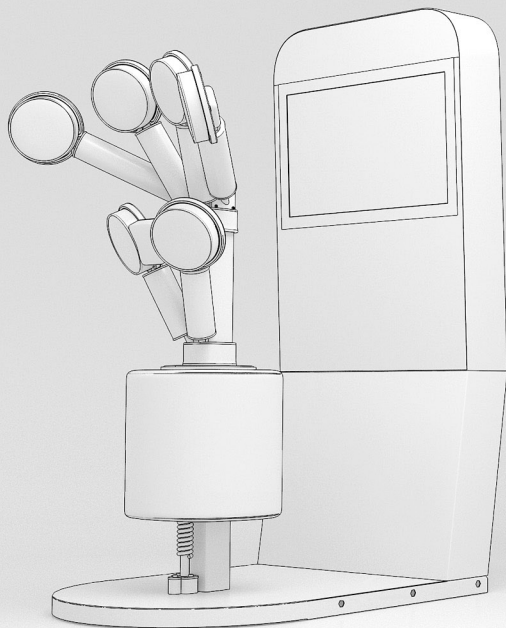
x8



x1

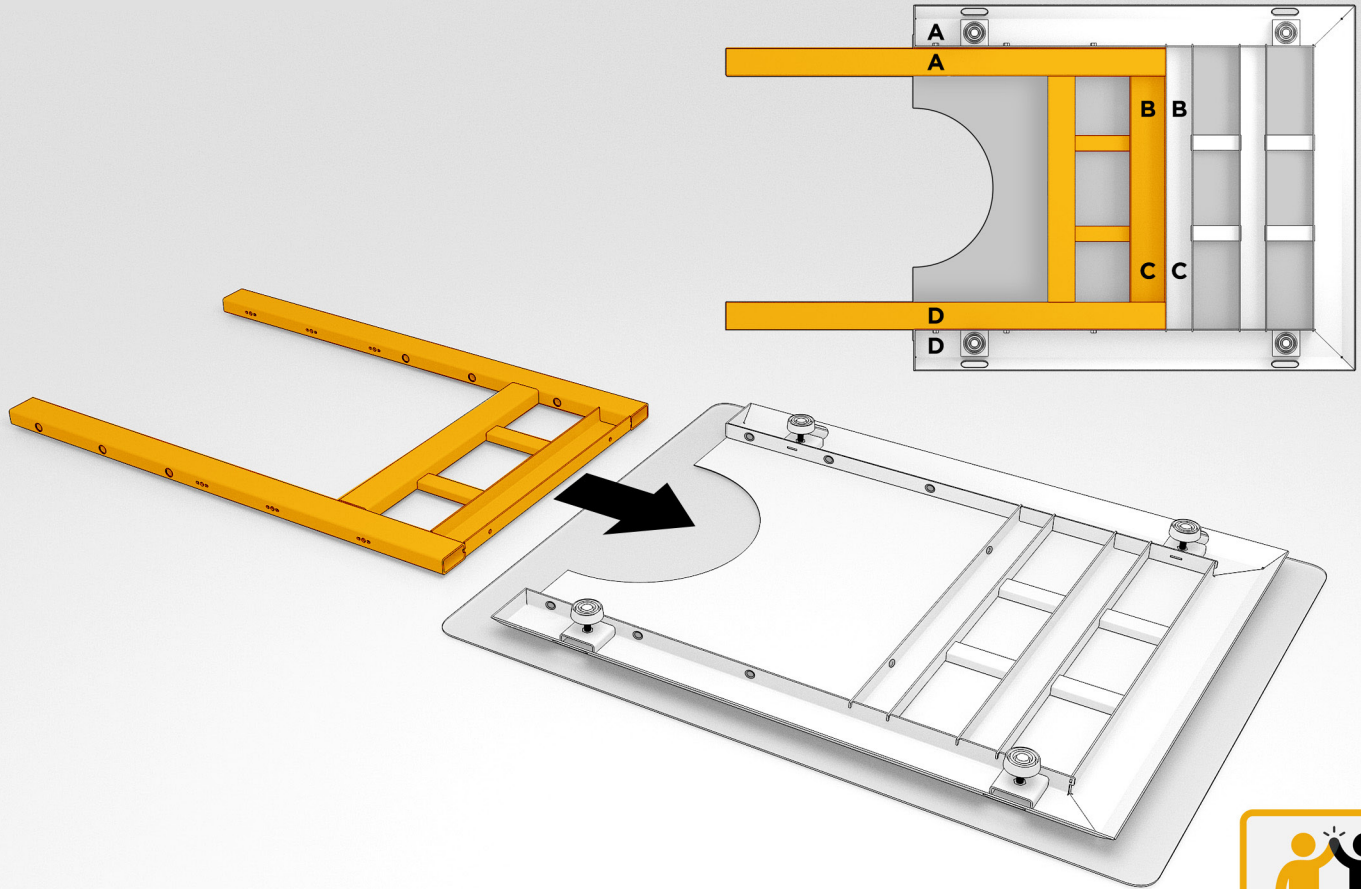


x1



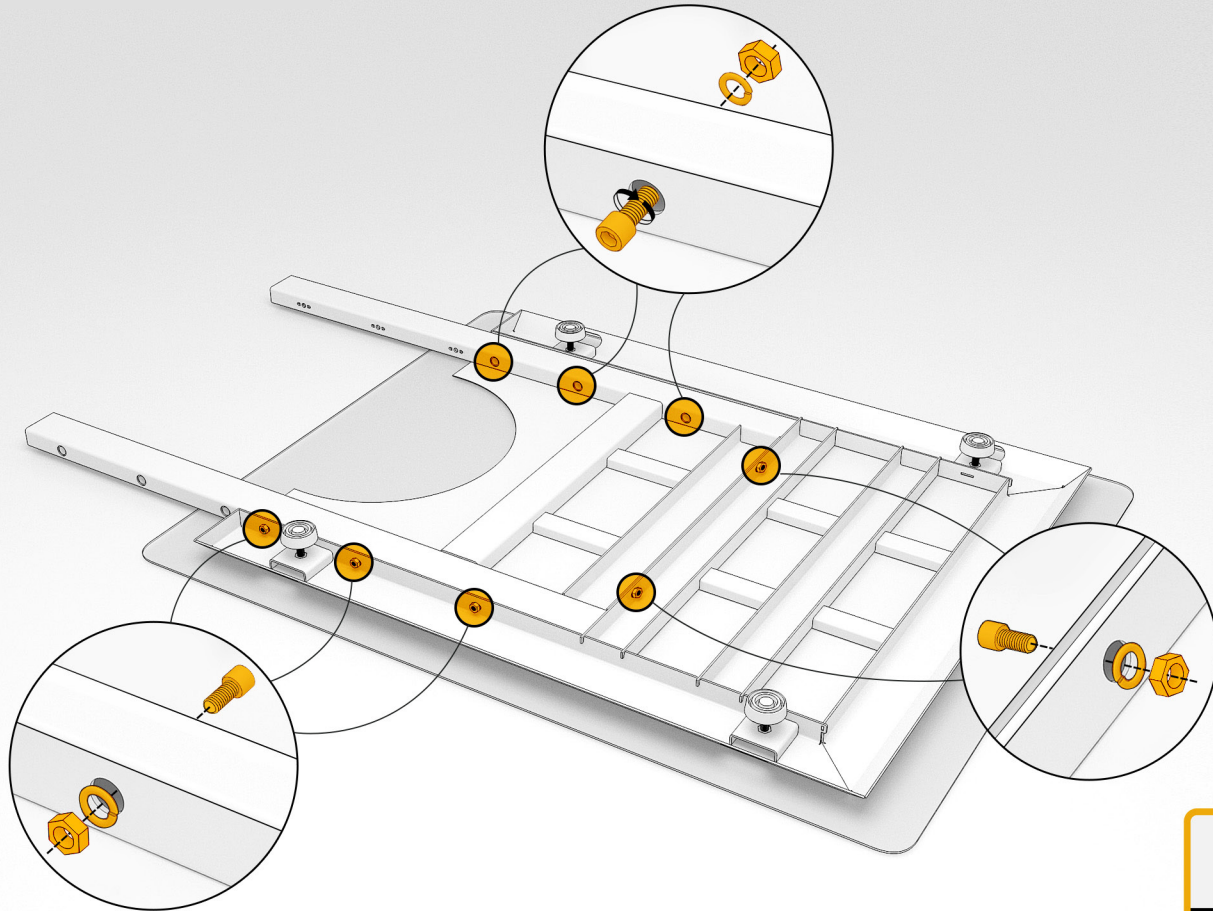
02 Turn the platform and attach the u-shaped profile

Boxing Coach - Assembly instruction



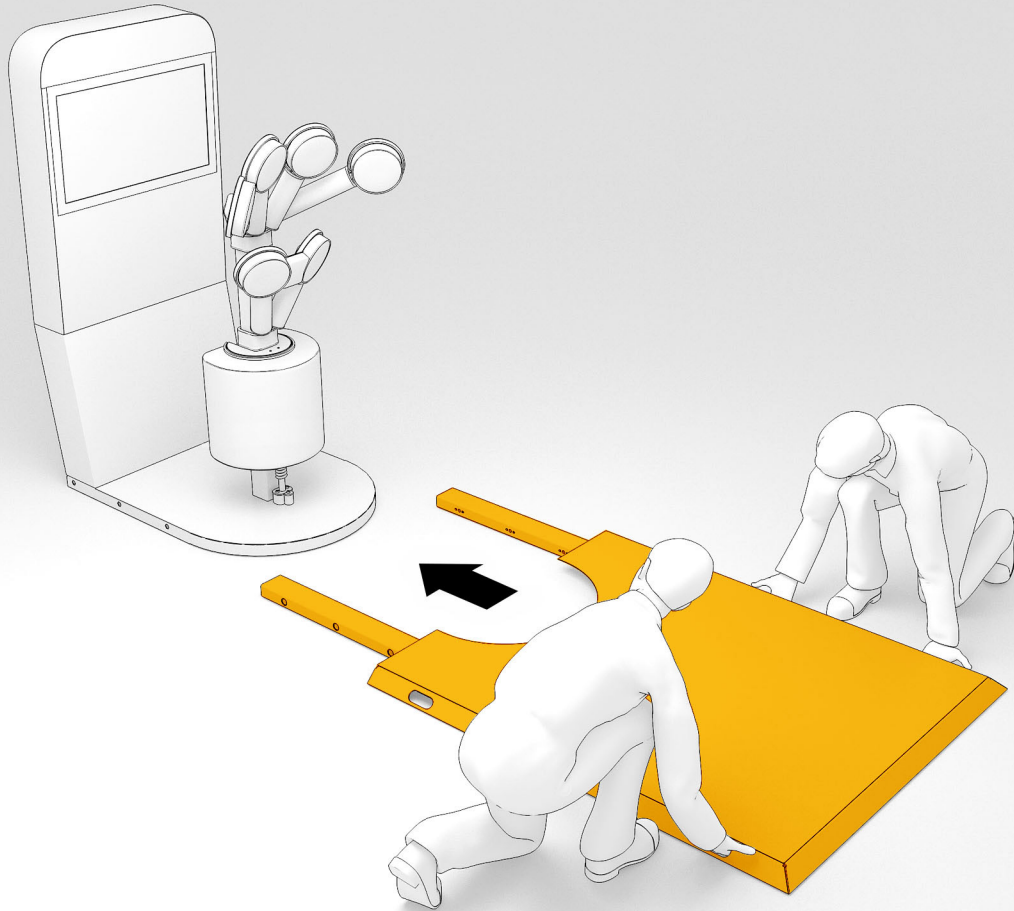
03 Screw the u-shaped profile to the platform

Boxing Coach - Assembly instruction



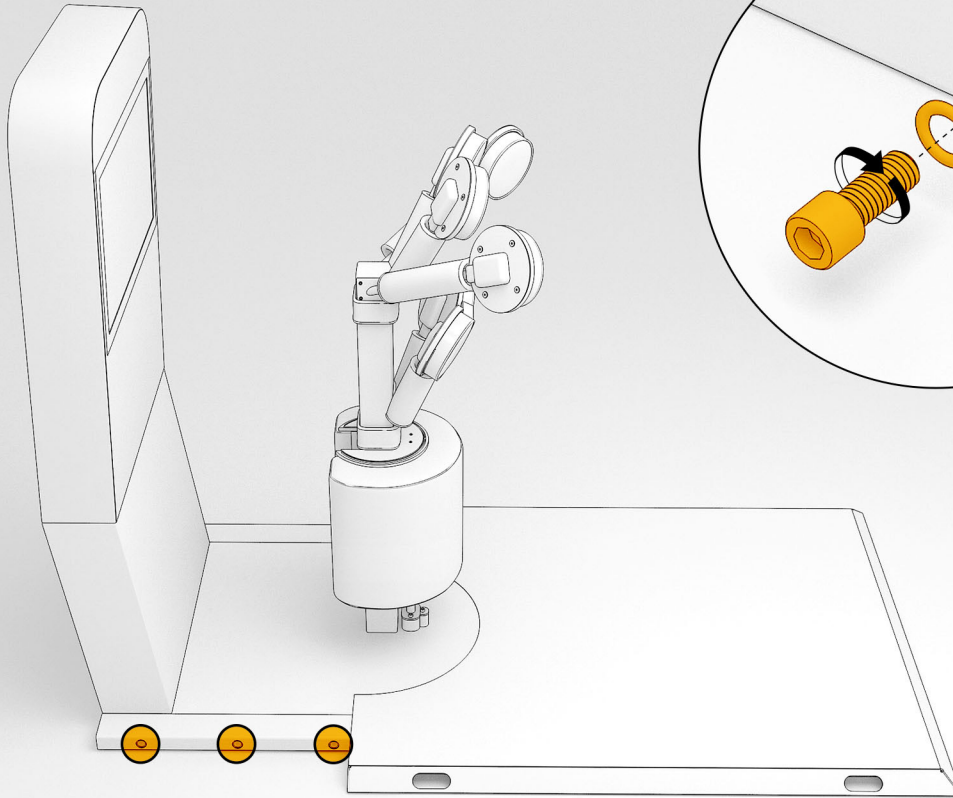
04 Turn the platform around and join to the device

Boxing Coach - Assembly instruction



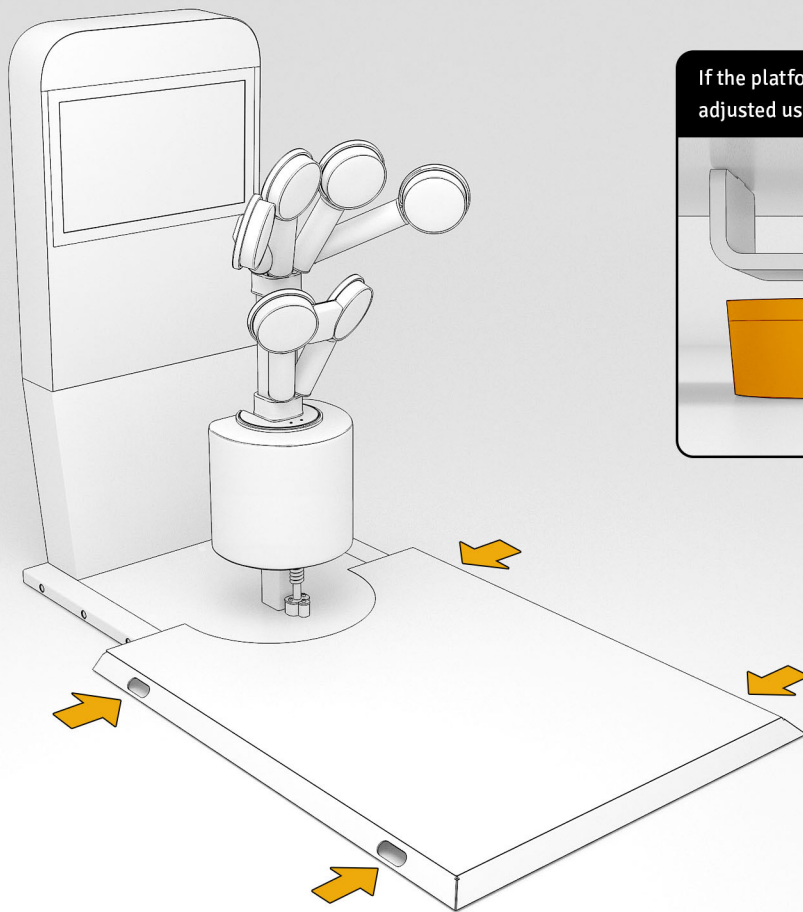
05 Secure the platform with screws on both sides

Boxing Coach - Assembly instruction

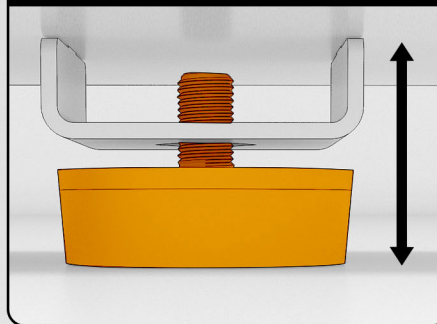


Platform to floor adjustment

Boxing Coach - Assembly instruction



If the platform is unstable, it should be adjusted using rubber feet on both side



Adjustment of the device to the floor

Boxing Coach - Assembly instruction

